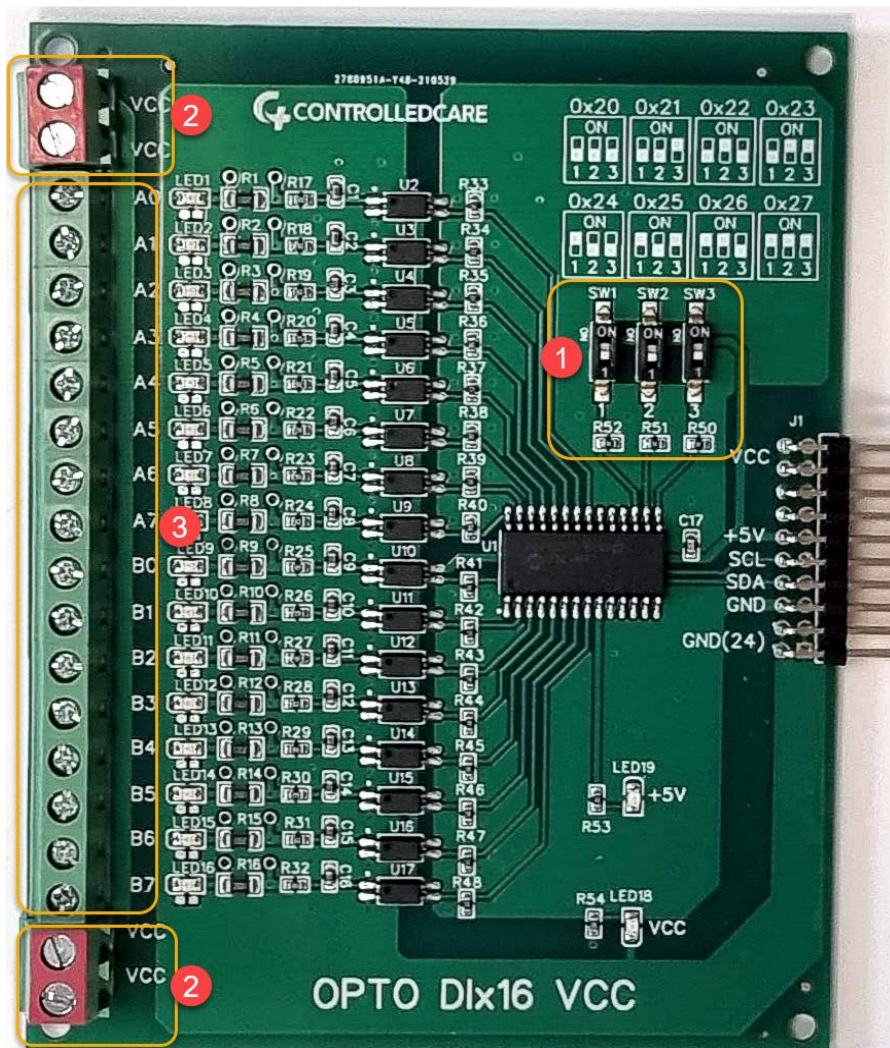


DIGITAL OPTO INPUTS Dix16 Module

This module is collecting information about call activity from the equipment located in the roms. In total 16 digital inputs (from A0 to B7) per one module, and it can operate in normal or hybrid mode.

1. Each module must have own unique address, can be set using these dip switches
2. Common VCC (24V) for all inputs emulate NO mode, and when NC are sent to input.
3. All inputs in NC mode, receives logical alarm level from common VCC

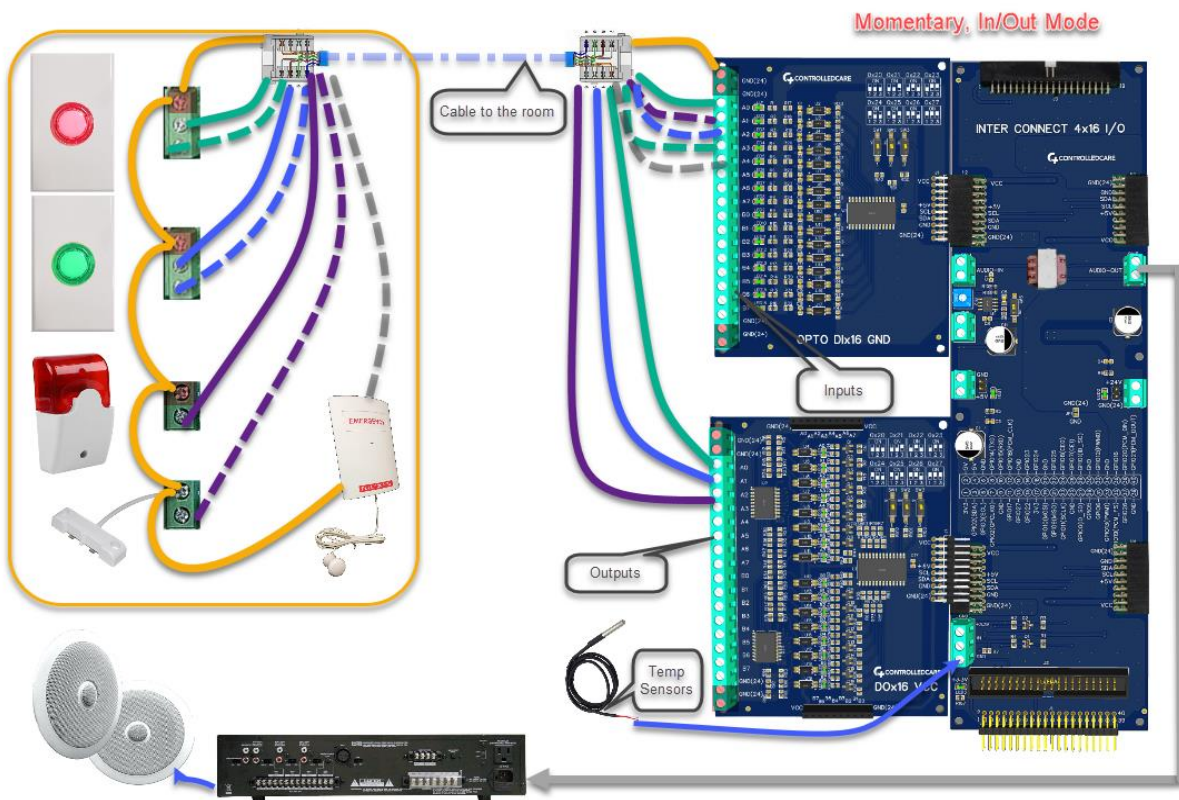


Usage and modes.

There are two modes of usage, regular and combo mode.

1. Regular mode. (“In” and optional “Out” contact pins are utilized)

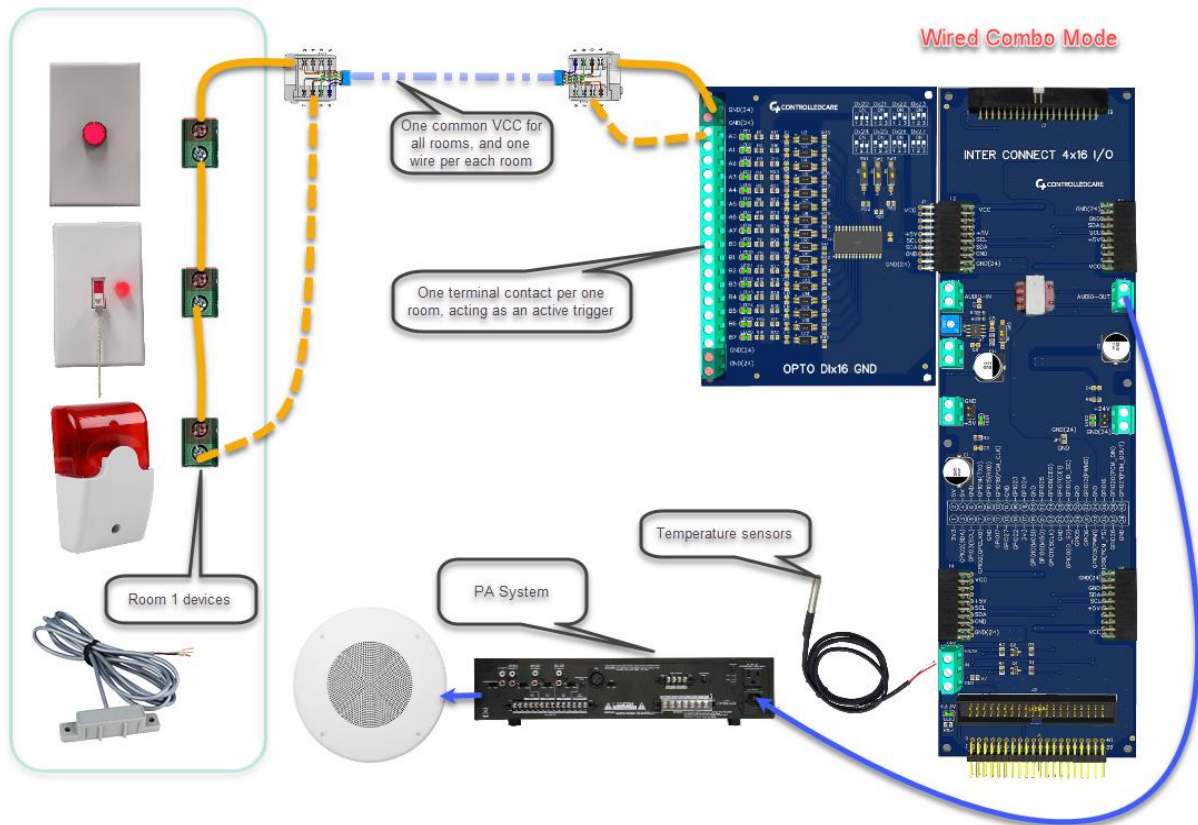
This mode is used when you need to connect directly to the bed station buttons, pull cords, sensors, fire panel outputs, relays, smoke detectors, motion etc. Any type is supported, such as momentary, toggle, latch, pulsing, high or low level etc. Here is the example of connection diagram



In regular mode any type of buttons or sensors are supported (momentary, latched, toggle or sliding)
And any type of signaling is detected as well (logical high or low, pulsing, NO, NC, etc.)

2. Combo Mode. (Only "In" terminal contacts are utilized)

This mode is used when you out of pairs in the cable run, but you required to reflect the status of alarm using a LED illuminated buttons or Dome Light outside of the room door. In this mode momentary buttons are not supported, you have to use toggle, latching or sliding buttons or switches. Here is the example of the wiring schematic diagram to be used



In this mode momentary are not supported, only latching, self-locked, sliding, twist to unlock, etc.) It is supported steady and blinking combined together or separately.